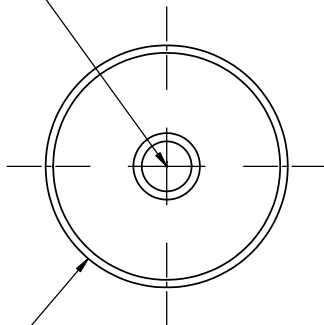
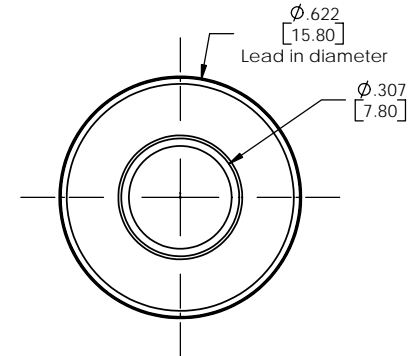
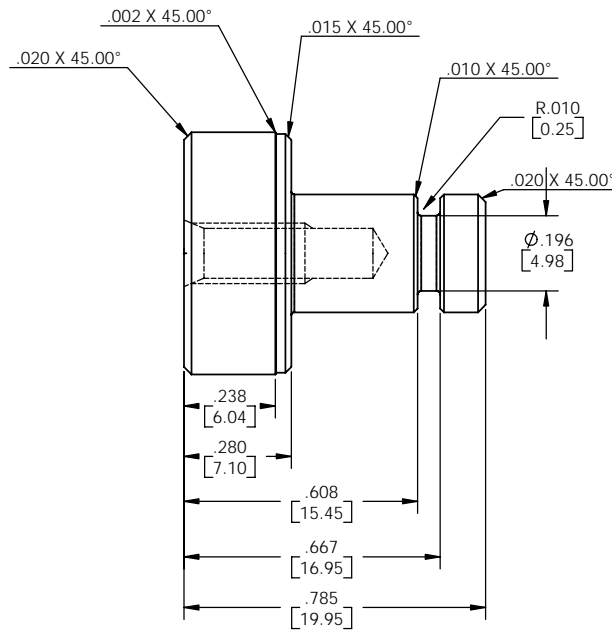


4mm-.07x 10mm dp
Jack screw hole



ϕ .6306
[16.02]



PROPRIETARY AND CONFIDENTIAL
THE INFORMATION CONTAINED IN THIS DRAWING IS THE SOLE PROPERTY OF [INSERT COMPANY NAME HERE]. ANY REPRODUCTION IN PART OR AS A WHOLE WITHOUT THE WRITTEN PERMISSION OF [INSERT COMPANY NAME HERE] IS PROHIBITED.

		UNLESS OTHERWISE SPECIFIED:	NAME	DATE	
		DIMENSIONS ARE IN INCHES	DRAWN		
		TOLERANCES:	CHECKED		TITLE:
		FRACTIONAL: \pm	ENG APPR		
		ANGULAR: MACH \pm BEND \pm	MFG APPR		
		TWO PLACE DECIMAL: \pm	D/A		
		THREE PLACE DECIMAL: \pm	COMMENTS:		
		INTERPRET GEOMETRIC TOLERANCING PER:			
		MATERIAL:			
		FINISH:			
NEXT ASSY	USED ON	APPLICATION			
		DO NOT SCALE DRAWING			
					SIZE DWG. NO. REV
					SCALE: 1:1 WEIGHT: SHEET 1 OF 1

Plug gas valve=ring